

Technical Bulletin

Water Intrusion Prevention and H-00276 Harness Replacement

Connector Damage and Water Intrusion Prevention to Protect the Purkeys P1020-K Liftgate Charging Plate Assembly in the Liftgate Battery Box

Purkeys has recently noticed that certain customers may experience water intrusion in the liftgate battery box or see damage to the connector that plugs into the DC/DC converter, either of which may electrically short the connection to the DC/DC converter.

As part of a proactive effort, Purkeys would like to suggest the following preventative measures be taken:

To prevent electrical shorts due to water intrusion, remove the rubber clamp (see photos on the following page) and allow the black wire to form a drip loop so that water will not enter the connector to the converter.

We also recommend installing a zip tie around the 4 wires at the connector (see photos on the following page) and allow the tail of the zip tie to point downward, creating a secondary drip path for water.

Purkeys has also made improvements to the harness that plugs into the converter to minimize the potential for over-temperature of connector terminals.

If you have already experienced water intrusion in the connector at the converter or a burn mark on the connector, please contact our technical services department. We will replace the connector with a complete harness assembly, which will include the improved design and longer wires to form a drip loop, free of charge, in exchange for the old harness so that it may be evaluated for future design improvements.

Before water intrusion prevention:



After water intrusion prevention:



Instructions for the replacement of the harness are included on the following page of this document.

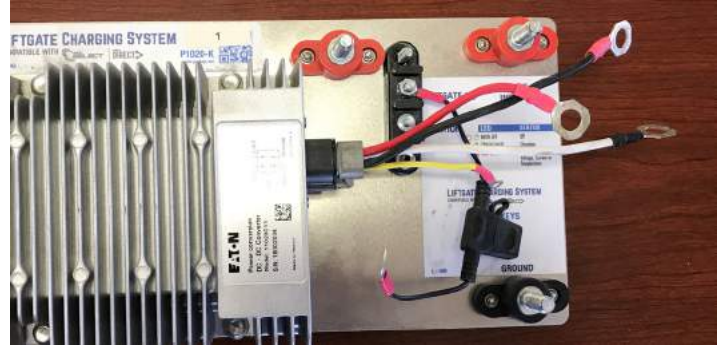
Please contact Purkeys' Technical Services Department if you have any questions.
Phone: 479-419-4800 | www.purkeys.net/contact/

Technical Bulletin

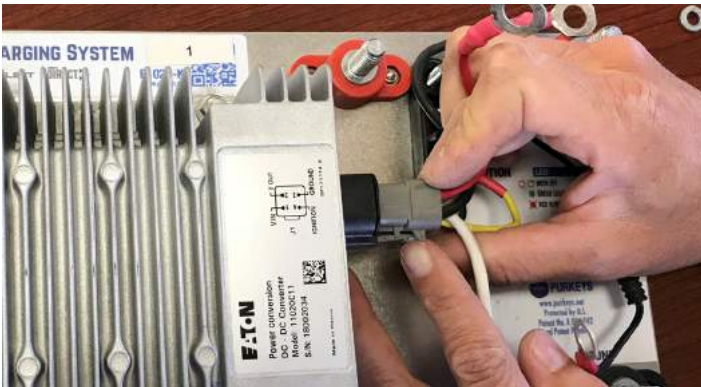
Water Intrusion Prevention and H-00276 Harness Replacement

Replacing the H-00276 Harness for the Purkeys P1020-K Liftgate Charging Plate Assembly

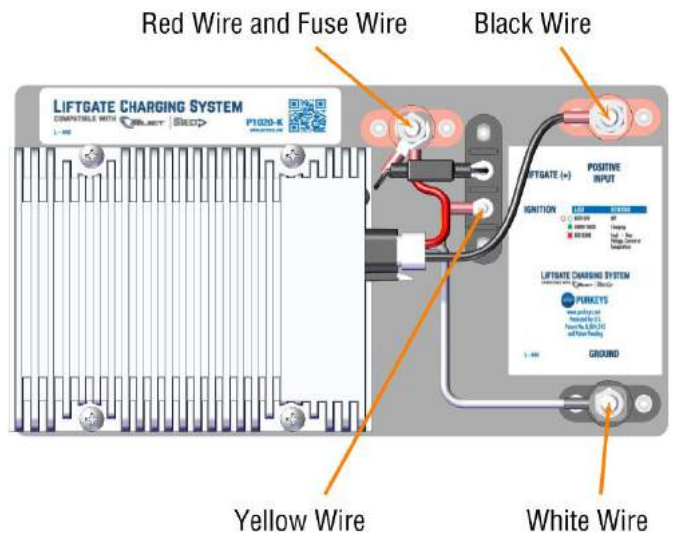
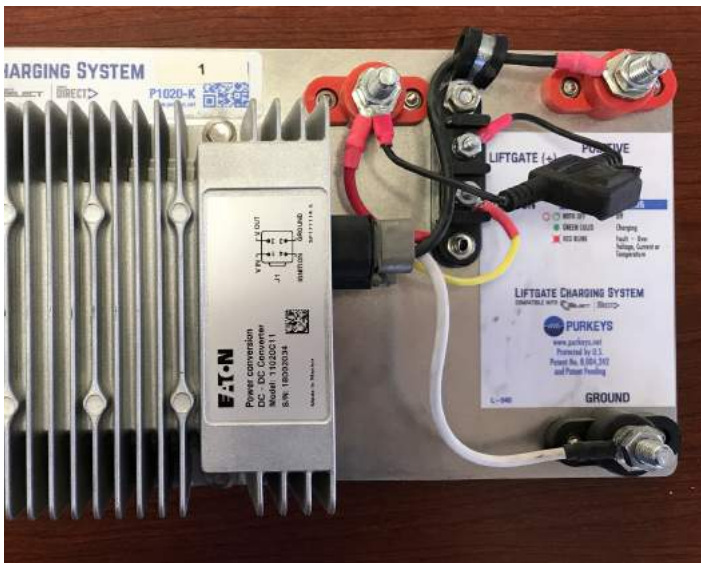
Step 1: Remove the nuts from the bolts connecting the harness ring terminals to the plate.



Step 2: Press the clip on the side of the connector and remove.



Step 3: Install the new harness by inserting the connector and securely attaching each ring terminal to the plate with the nuts removed in Step 1.



Please contact Purkeys' Technical Services Department if you have any questions.
Phone: 479-419-4800 | www.purkeys.net/contact/