



DIRECT PLUS

Product Specification Data Sheet

Avoid Liftgate Battery Issues, Save Space on the Front of Your Trailer

The DIRECT™ nosebox line combines all the best features of our original liftgate charging systems into a space-saving nosebox.

It also includes an interior light controller (harness sold separately) designed to turn the lights on inside a trailer and automatically shut them off either:

- via a timer
- if the liftgate batteries drop to a low state of charge.



Electrical Specifications:

| | Min | Max |
|-----------------------|-------|---------|
| Charging Current | -- | 20 A |
| Operating Temperature | -40°C | 85°C |
| Operating Voltage | 7 V | 16 V |
| Quiescent current | | < 30 mA |

Product Weights:

Nosebox/plate: approx. 6 lbs

Nosebox/plate/cables: approx. 16 lbs

Features:

- Saves space on front of trailer
- Combines liftgate charging system into nosebox
- Maintains and protects batteries
- Maximizes battery life and reduces downtime
- Replaceable receptacle in case of damage
- Easy to read LED indication
- Provides interior light control (harness sold separately)
- Designed to meet SAE J1455

See the following pages for drawings and diagrams.

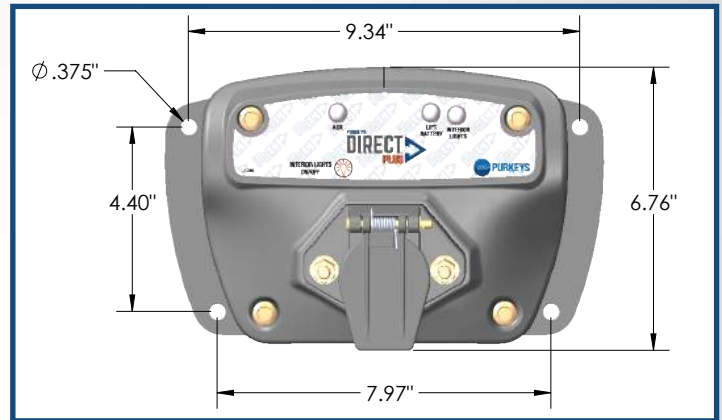
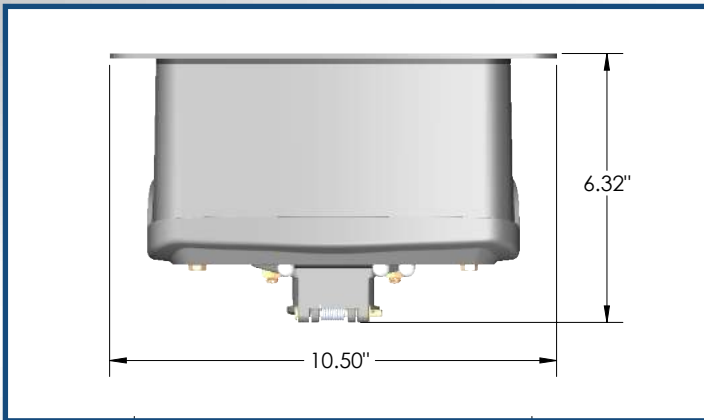


DIRECT PLUS

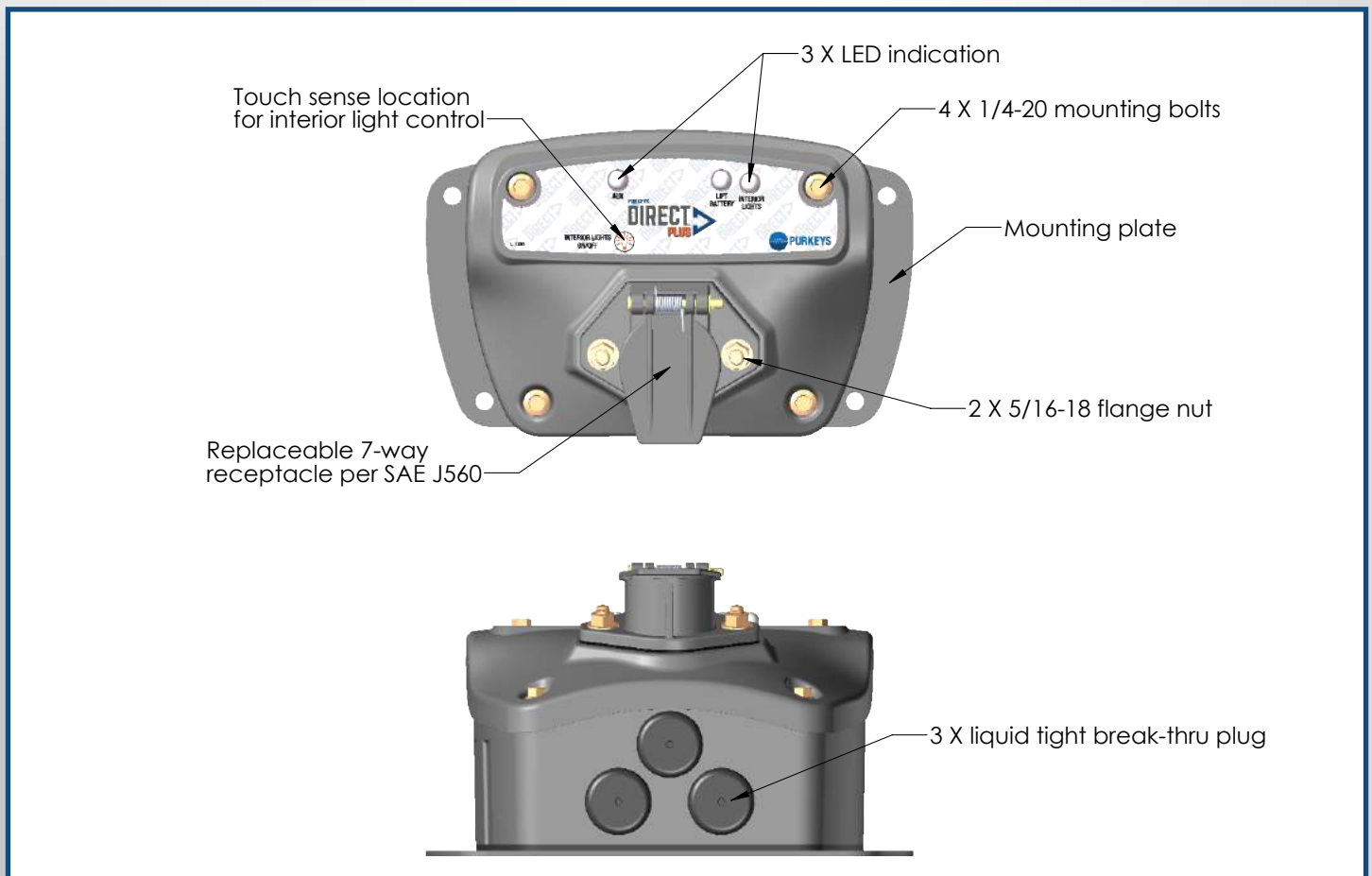
Drawings and Diagrams

DIRECT PLUS

Dimensions:



Exterior Call-outs:



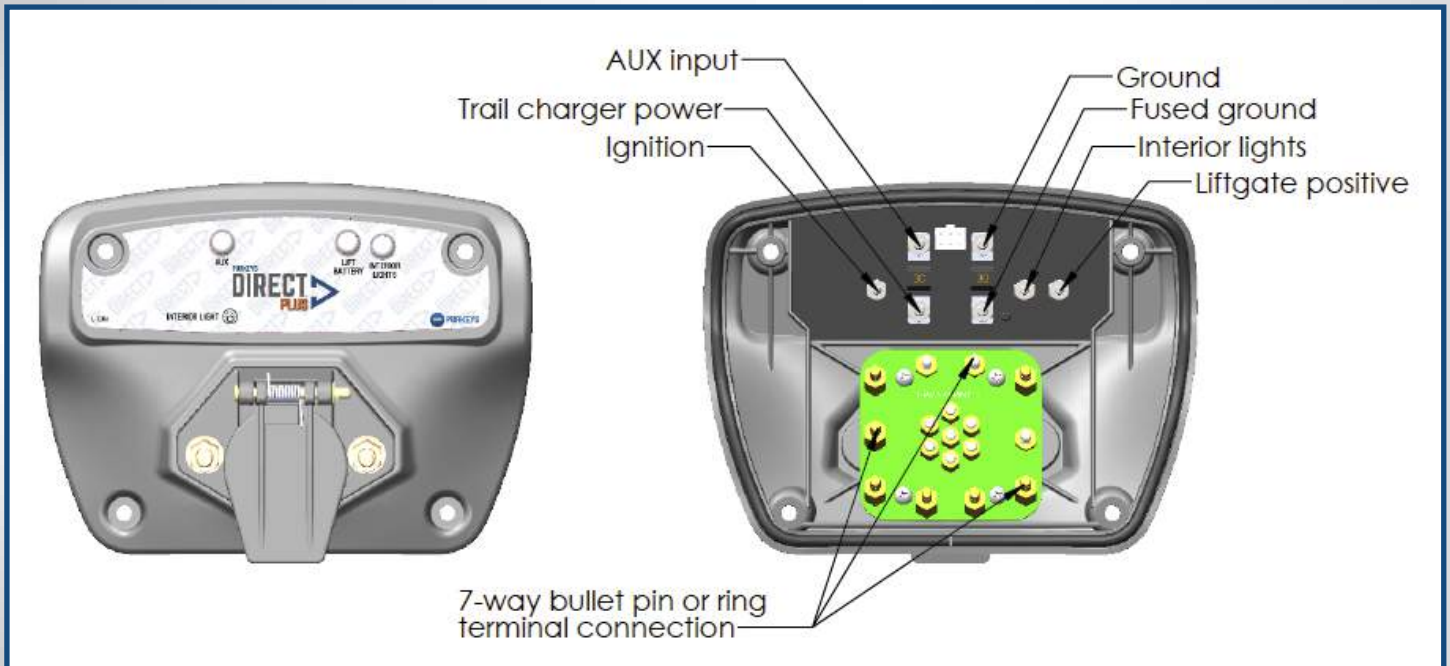


DIRECT PLUS

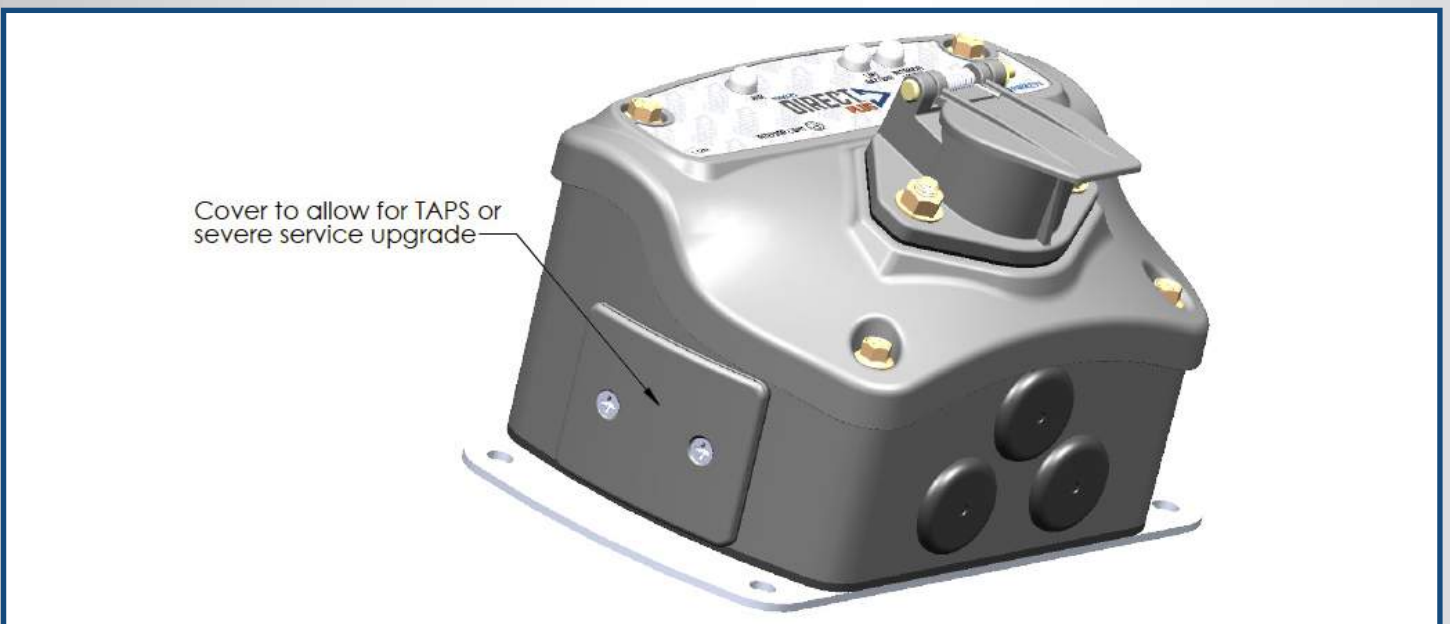
Drawings and Diagrams Continued

DIRECT PLUS

Lid:



Upgradeable:

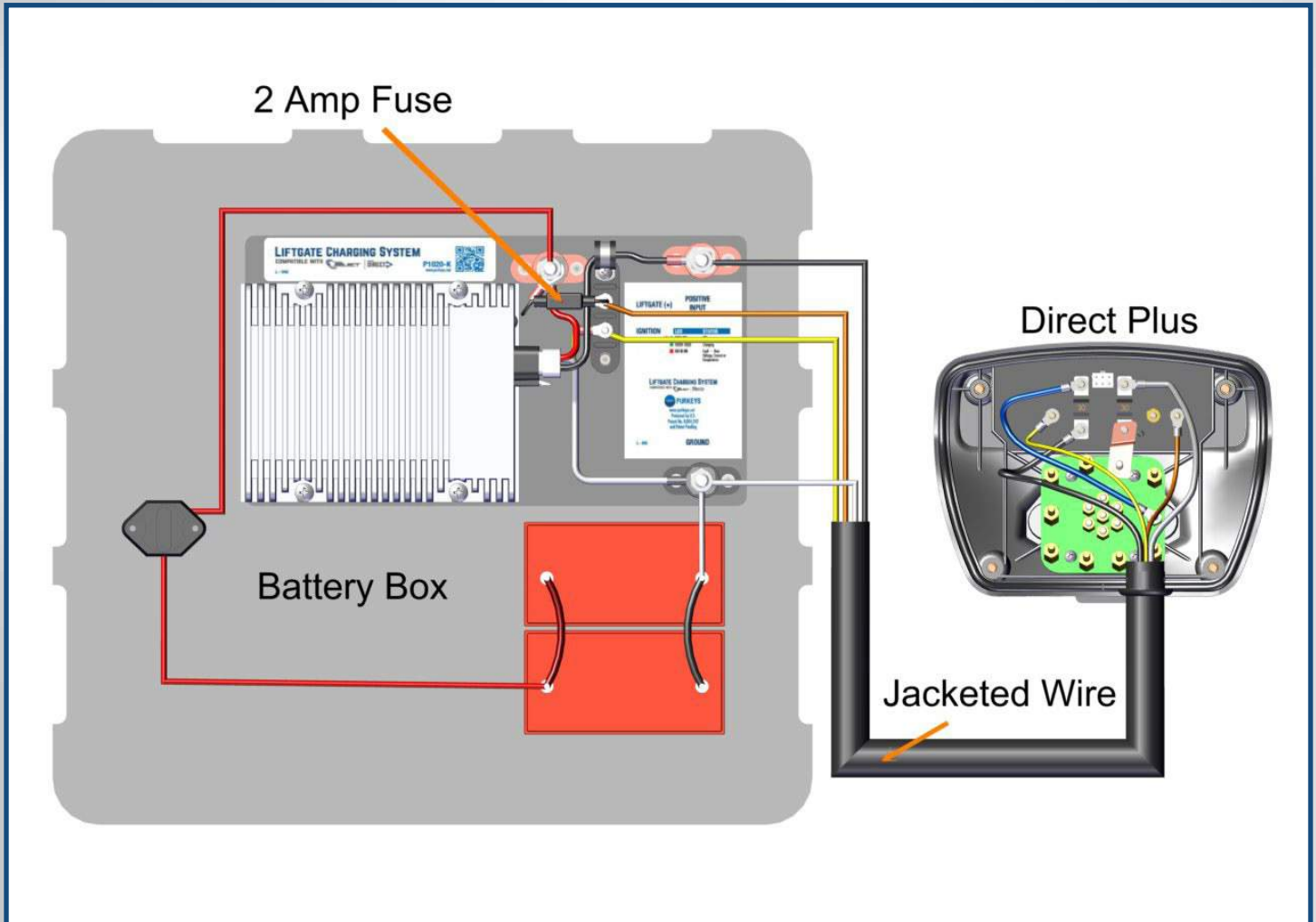




DIRECT PLUS

Drawings and Diagrams Continued DIRECT PLUS

Electrical Diagram:



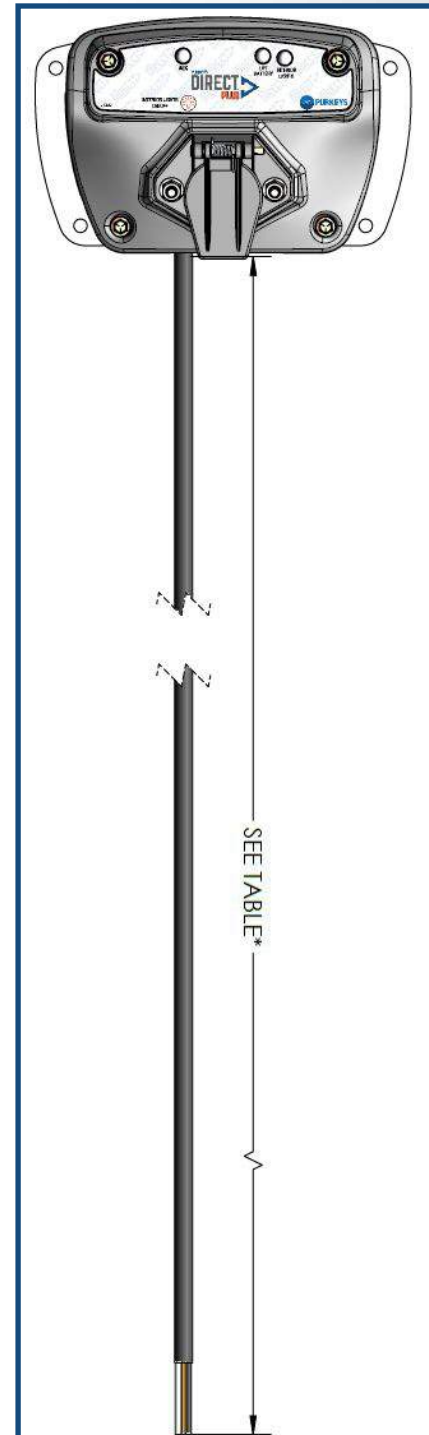


DIRECT PLUS

Part Numbers and Cable Specifications

DIRECT PLUS

| Part # | Output Harness Length | Includes DC/DC Converter? |
|-------------|-----------------------|---------------------------|
| PLUS-25-A | 25' ± 6" | NO |
| PLUS-25-KIT | 25' ± 6" | YES |
| PLUS-50-A | 50' ± 6" | NO |
| PLUS-50-KIT | 50' ± 6" | YES |
| PLUS-70-A | 70' ± 6" | NO |
| PLUS-70-KIT | 70' ± 6" | YES |



Cable Specifications (H-00286):

| | |
|------------------|--|
| Gauge wire: | 14 GA Orange 16 GA Yellow 8 GA Black 8 GA White |
| Overall O.D: | .490" O.D |
| Wall: | .030" ± .05 |
| Stranding: | 14 GA-19/27 16 GA 7/24 8 GA 19/21 |
| Jacket Type: | +80° C and -30° C Black PVC |
| Wire insulation: | GXL |
| Standard Put-Up: | 1000' per 30" Reel |



Interior Light Controller and LED Logic

Interior Light Controller:

- Turn on/off from nosebox or from switch in trailer
- Turn off after timeout (includes settings for 15, 30, 60, and 90 minutes)
- Turn off after aux power goes from low to high
- Turn off if liftgate battery gets low (LVD)
- Blinks lights three times three minutes before turning off, two times two minutes before turning off, and once one minute before turning off



LED Logic:

| LED | STATUS |
|--------------------|--------------|
| Green solid | Charging |
| Green blink | Good voltage |
| Orange blink | Low voltage |
| Orange rapid-blink | Fault |